

STATE	PROJECT NO.	SHEET NO.	TOTAL SHEETS
N.C.			
F.A. PROJECT NO.			

REMOVE EXISTING PAVEMENT MARKINGS TO
END OF RADIUS AND TIE NEW PAVEMENT
MARKINGS INTO EXISTING PAVEMENT MARKINGS

STOP RUMBLE STRIPES AT RADIUS

REMOVE EXISTING PAVEMENT MARKINGS TO
END OF RADIUS AND TIE NEW PAVEMENT
MARKINGS INTO EXISTING PAVEMENT MARKINGS

END RUMBLE STRIPES AT BEGINNING
OF FULL WIDTH TURN LANE

STOP RUMBLE STRIPES AT RADIUS

REMOVE EXISTING PAVEMENT MARKINGS TO
END OF RADIUS AND TIE NEW PAVEMENT
MARKINGS INTO EXISTING PAVEMENT MARKINGS

STOP RUMBLE STRIPES AT RADIUS

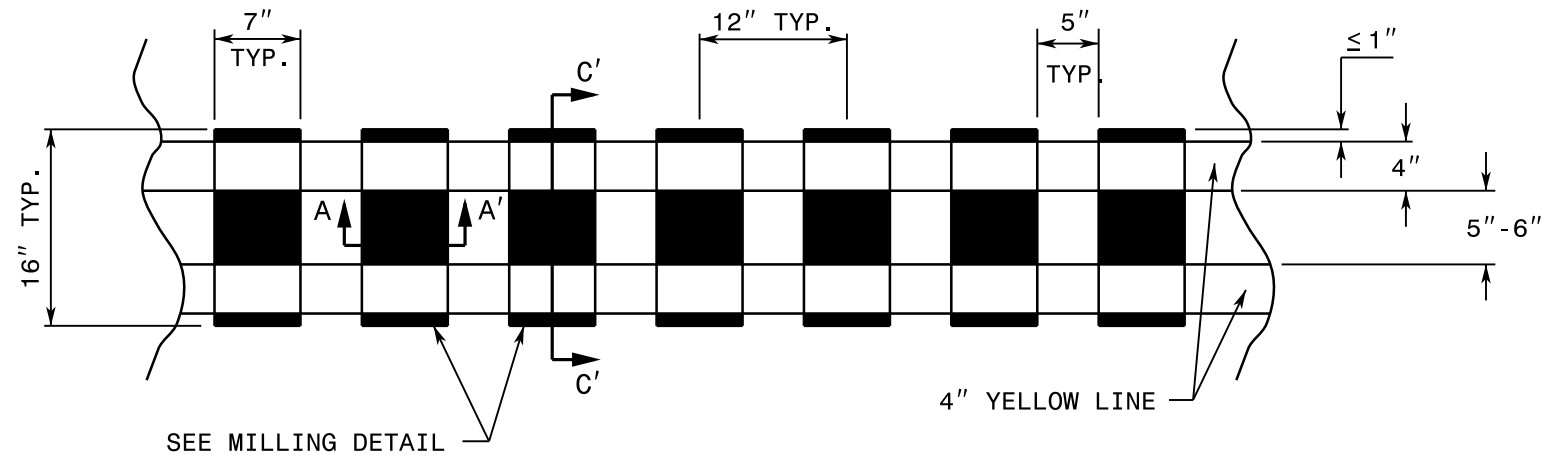
REMOVE EXISTING PAVEMENT MARKINGS TO
END OF RADIUS AND TIE NEW PAVEMENT
MARKINGS INTO EXISTING PAVEMENT MARKINGS

MILLED RUMBLE
STRIPE PLACEMENT

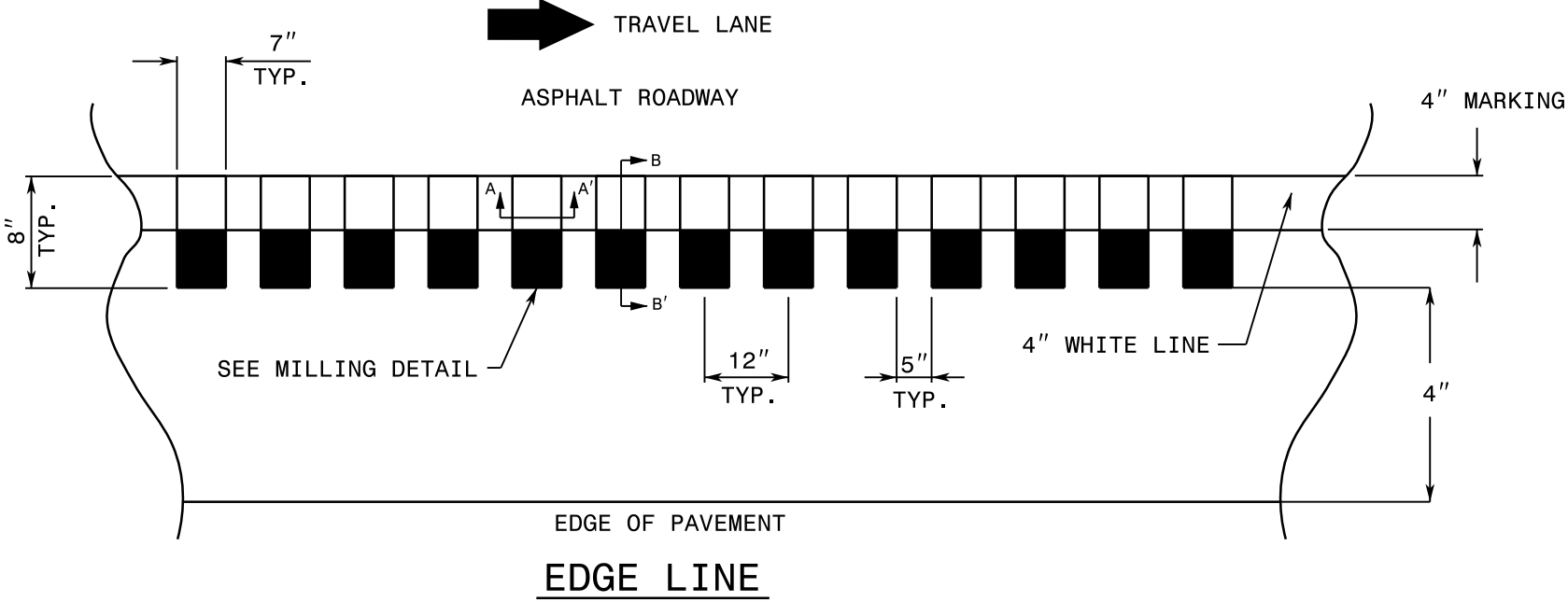
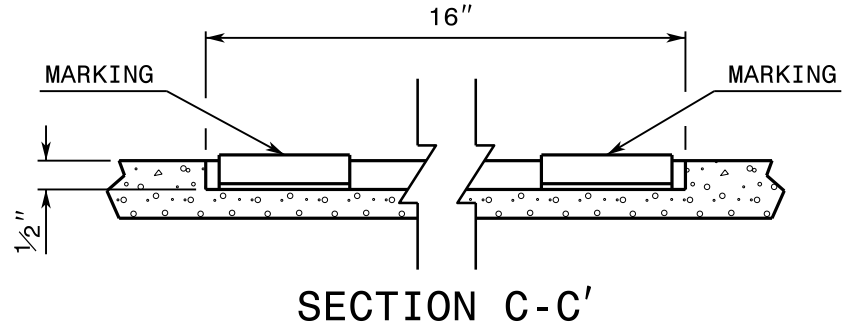
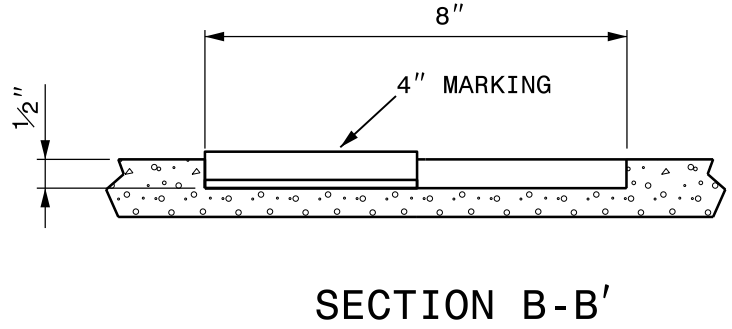
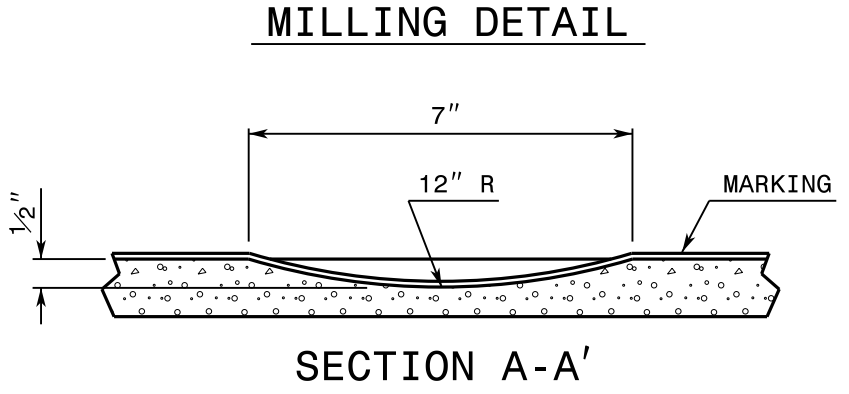
SCALE	
DATE	
DWG. BY	
DESIGN BY	
APPROVED	



REVISIONS	

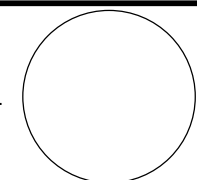


CENTERLINE



EDGE LINE

- NOTE:**
- 1) USING A VACUUM, REMOVE ALL DEBRIS FROM THE MILLINGS JUST PRIOR TO PLACING ANY PAVEMENT MARKINGS.
 - 2) ENSURE GLASS BEADS ARE SPREAD UNIFORMLY OVER THE ENTIRE SURFACE OF THE PAVEMENT MARKING MATERIAL.

APPROVED: _____	DATE: _____	MILLED RUMBLE STRIPE DETAIL	
SEAL 			
		DATE: AUG 09'	
DWG. BY: MRM			
DESIGN BY: MRM			
REVIEWED BY: CBH			

23-DEC-2011 09:22
 C:\sectm\l\mch\p\l\umbis\str\19g-dwg.dgn
 jmorward AT DDD\VCAD258894